

## Product Data Sheet

# ServSwitch™ EC for PS/2 and USB Servers

### Overview

Use either a PS/2 or USB keyboard and mouse to control up to 16 PS/2 and USB servers from your desktop.

Perfect for areas where you have a mix of servers and console control devices, this ServSwitch has a rear-panel slide switch that you use to select either PS/2 or USB console mode for the KV9208A and KV9216A.

Models are available for switching between 4, 8, or 16 servers from a single console. To expand your switching platform to include additional servers—up to 136 in all with the 16-port model—simply cascade units in a master-slave configuration.

Ideal for applications where you have a limited amount of space, the 1U-high ServSwitch EC can be used on the desktop. As an added space-saving feature, the switch requires just one HD15 connector for each server connection. Keyboard, monitor, and mouse circuitry is built into a single connector, and the switch uses 3-in-1 CPU cables.

The ServSwitch EC for PS/2 and USB Servers and PS/2 or USB Consoles (KV9208A, KV9216A) or USB consoles only (KV9204A) also has on-screen display (OSD) features for switching between servers and managing server connections. Navigate through the OSD menus using a function key, and use the OSD interface to view each port's connection status, lock a server from unauthorized access, and even assign server names that are up to 14 characters long. The switch stores all name entries in non-volatile memory.

You can also switch servers by pushing front-panel buttons or by using a sequence of hotkeys. Or let the switch do it automatically for you with its AutoScan function, which enables the ServSwitch EC to scan and switch between servers at an interval you determine. When AutoScan detects any keyboard or mouse activity, it suspends the scanning until activity stops, then resumes with the next computer in sequence.



With video enhancement technology that ensures superb quality and resolutions up to 1920 x 1440, the ServSwitch EC is DDC2B compatible, so you can use it with the latest monitors. The switch is operating system independent and transparent to all applications.

*NOTE: When cascading multiple units, the master must have the same number as or more ports than the slave. The ServSwitch EC for PS/2 and USB Servers can also be cascaded with PS/2 only models (KV9004A, KV9008A, and KV9016A).*

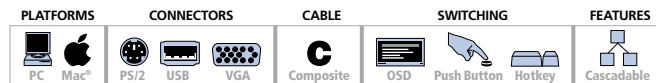
### Basic Features

- Resolution up to 1920 x 1440.
- Switch manually on the unit, via an on-screen interface, with hotkeys, or automatically by activating the AutoScan function.
- AutoScan function enables the ServSwitch EC to scan and switch between servers at an interval determined by the user. When AutoScan detects any keyboard or mouse activity, it suspends the scanning until the activity stops, then resumes with the next computer in sequence.
- To choose the console mode, just slide a switch on the back panel (8- and 16-port models only). KV9204A does not support PS/2 consoles.
- Compact and just 1U high, so it's ideal for use where space is at a premium. All models include rackmounting brackets.
- Compatible with Windows® 98/Me/XP, Windows NT®, and Windows 2000/Windows 7/8/8.1.
- DDC2B compatible: use it with the latest monitors.
- Supports Microsoft® IntelliMouse®.
- Cascadable for adding up to 136 server connections.

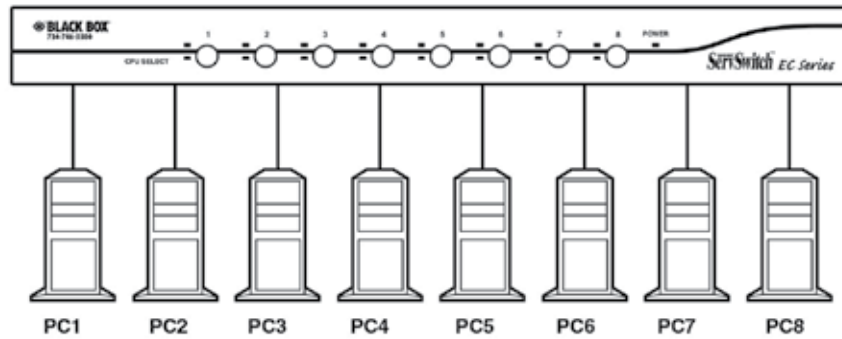
# ServSwitch EC for PS/2 and USB Servers

## Specifications

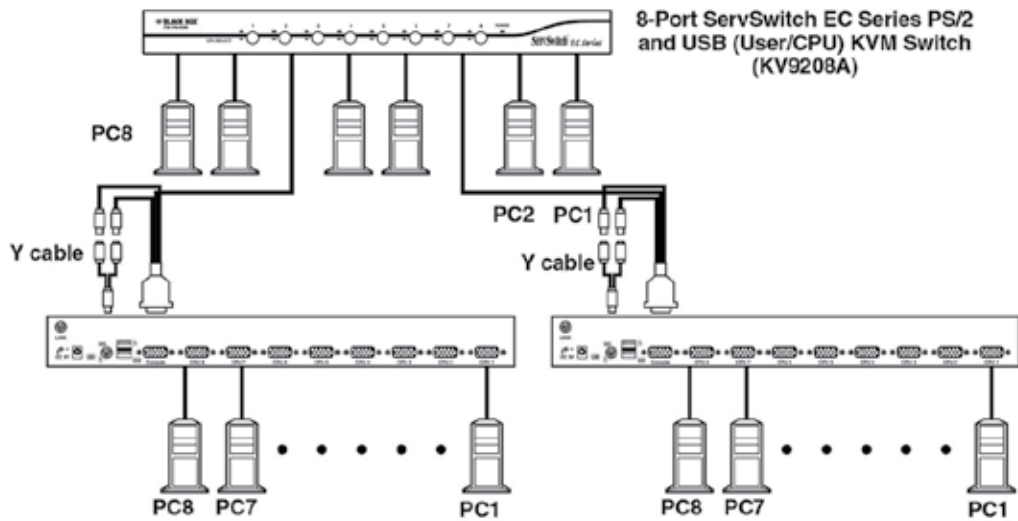
AutoScan Intervals	3, 8, 15, and 30 seconds
Cable Length (Maximum)	At console: 20 ft. (6 m); At PC ports for PS/2 server: 30 ft. (9.1 m); At PC ports for USB server: 15 ft. (4.5 m)
Operating Systems Supported	Windows 98/Me/XP, Windows NT, Windows 2000/Windows 7/8/8.1
Resolution (Maximum)	1920 x 1440
User Controls	KV9204A: (4) port selection buttons; KV9208A, KV9216A: (8) port selection buttons
Connectors	KV9204A: Server: (4) HD15 F; Console: Keyboard/mouse: (2) USB Type A F; Monitor: (1) HD15 F; KV9208A: Server: (8) HD15 F; Console: Keyboard/mouse: (1) 6-pin mini DIN F or (2) USB Type A F; Monitor: (1) HD15 F; KV9216A: Server: (16) HD15 F; Console: Keyboard/mouse: (1) 6-pin mini DIN F or (2) USB Type A F; Monitor: (1) HD15 F
Indicators	KV9204A: (4) Port LEDs; KV9208A: (8) Port LEDs; KV9216A: (16) Port LEDs
Power	100–240 VAC, 50/60 Hz
Size	KV9204A: 1.75"H (1U) x 8.6"W x 5.1"D (4.4 x 21.8 x 13 cm); KV9208A, KV9216A: 1.75"H (1U) x 17.3"W x 7"D (4.4 x 43.9 x 17.8 cm)
Weight	KV9204A: 2 lb. (0.9 kg); KV9208A: 4.9 lb. (2.2 kg); KV9216A: 6 lb. (2.7 kg)



A typical application of a single ServSwitch EC for PS/2 and USB servers is shown below.



A typical application of cascaded ServSwitches EC for PS/2 and USB servers is shown below.



# ServSwitch EC for PS/2 and USB Servers

---

Ordering information for the ServSwitch EC for PS/2 and USB servers is shown below.

<b>Item</b>	<b>Code</b>
ServSwitch EC for PS/2 and USB Servers	
4-Port	<b>KV9204A</b>
8-Port	<b>KV9208A</b>
16-Port	<b>KV9216A</b>
◆ All include (1) AC power adapter, (1) set of foot pads, and (1) user's manual, and (2) mounting brackets. KV9208A and KV9216A also include a PS/2 Y cable.	
<i>NOTE: The KV9204A does not support PS/2 consoles.</i>	
<b>For your computer connections, order...</b>	
ServSwitch EC Server Cable	
PS/2	
6-ft. (1.8-m)	<b>EHN70001-0006</b>
10-ft. (3.0-m)	<b>EHN70001-0010</b>
15-ft. (4.5-m)	<b>EHN9000P-0015</b>
30-ft. (9.1-m)	<b>EHN9000P-0030</b>
USB	
6-ft. (1.8-m)	<b>EHN9000U-0006</b>
10-ft. (3.0-m)	<b>EHN9000U-0010</b>
15-ft. (4.5-m)	<b>EHN9000U-0015</b>

## Disclaimer:

Black Box Network Services shall not be liable for damages of any kind, including, but not limited to, punitive, consequential or cost of cover damages, resulting from any errors in the production information or specifications set forth in this document and Black Box Network Services may revise this document at any time without notice.

## About Black Box:

Black Box is a leading technology product solutions provider that helps customers build, manage, optimize, and secure their networks. The Black Box quality management system is ISO 9001:2008 certified, and the company has received numerous industry recognitions. Black Box provides its customers with free, 24/7 pre- and post-sales technical support. The Black Box catalog and Web site offer an extensive range of infrastructure products including Cabling, Cabinets & Racks, Data Center Cooling Solutions, Power & Surge Protection, and Environmental Monitoring.

© Copyright 2014. Black Box Corporation. All rights reserved. Black Box® and the Double Diamond logo are registered trademarks of BB Technologies, Inc. Any third-party trademarks appearing in this publication are acknowledged to be the property of their respective owners.