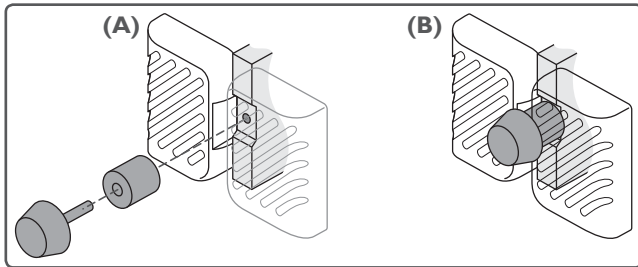
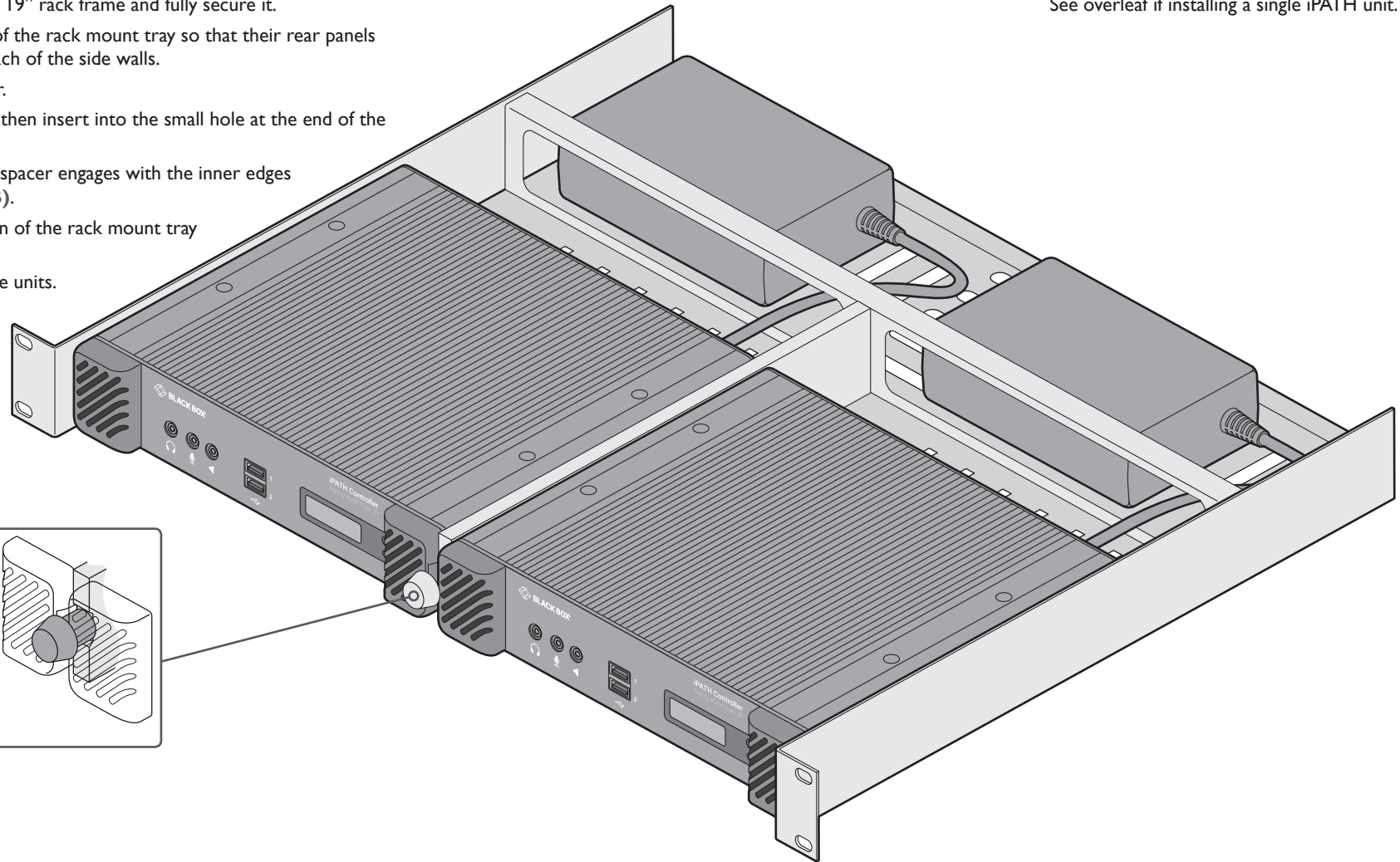


Using the Agility and iPATH rack mount

- 1 Install the empty rack mount tray into your 19" rack frame and fully secure it.
- 2 Place Agility or iPATH units into each side of the rack mount tray so that their rear panels butt up against the small pegs located on each of the side walls.
- 3 Locate the supplied thumbscrew and spacer.
- 4 Insert the thumbscrew through the spacer; then insert into the small hole at the end of the center divider **(A)**.
- 5 Gently tighten the thumbscrew so that the spacer engages with the inner edges of the two units and holds them in place **(B)**.
- 6 Place the power adapters in the rear section of the rack mount tray and connect them to their respective units.
- 7 Make all other necessary connections to the units.

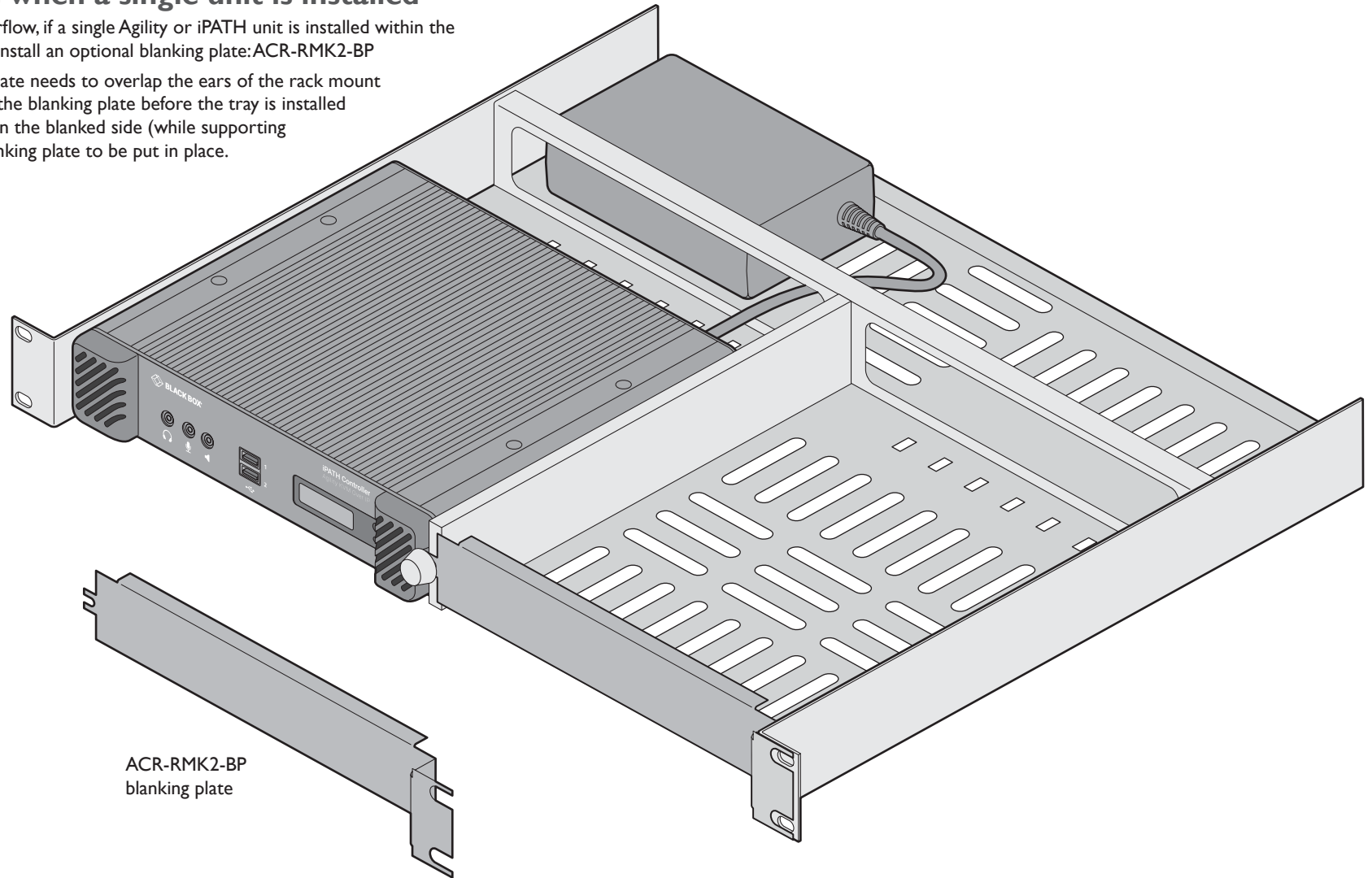
See overleaf if installing a single iPATH unit.



Using a blanking plate when a single unit is installed

In order to maintain suitable cooling airflow, if a single Agility or iPATH unit is installed within the rack mount, you are recommended to install an optional blanking plate: ACR-RMK2-BP

Note: The outer edge of the blanking plate needs to overlap the ears of the rack mount tray itself, so you need to either install the blanking plate before the tray is installed or briefly remove the mounting bolts on the blanked side (while supporting the weight of the tray) to allow the blanking plate to be put in place.



ACR-RMK2-BP
blanking plate

